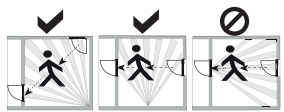
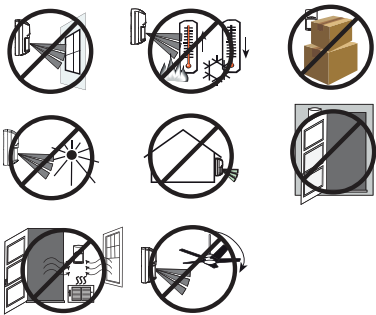
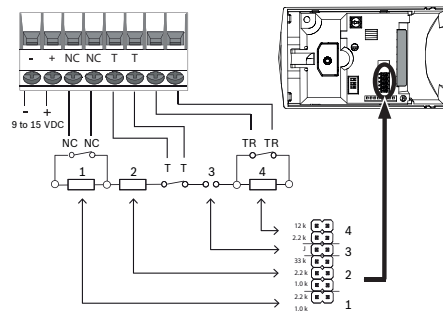
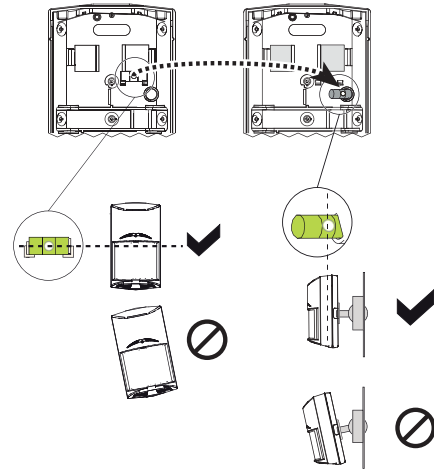
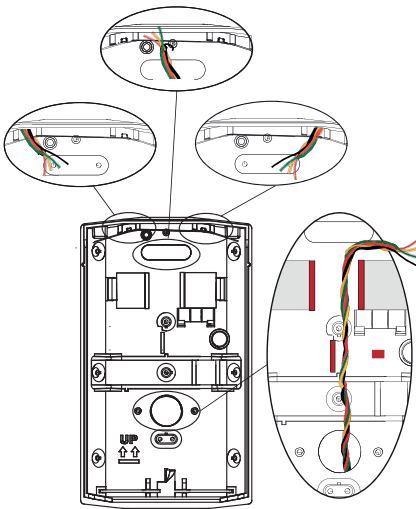
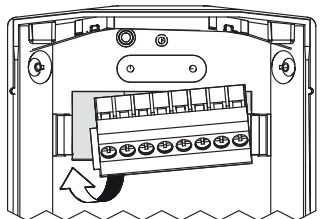
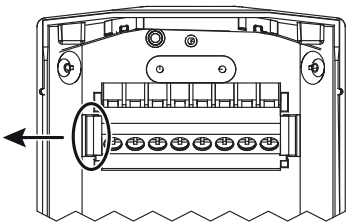
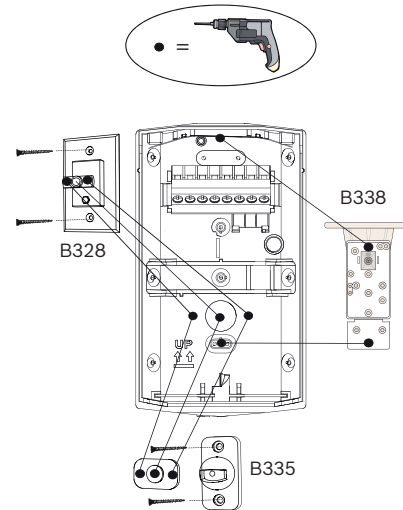
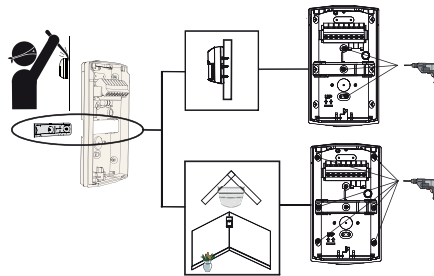
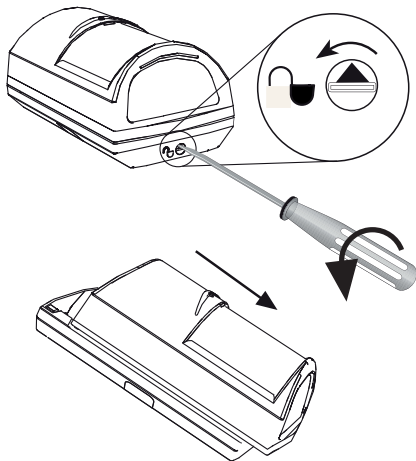
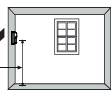


Part I of II

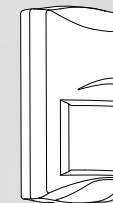


2,3 m - 2,75 m
(7.5 ft - 9 ft)



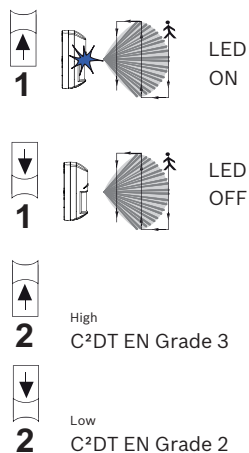
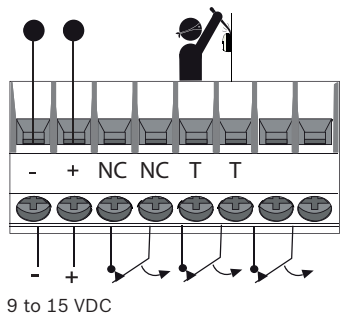
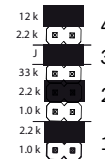
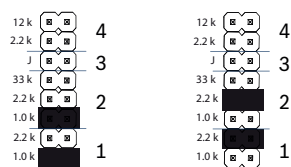
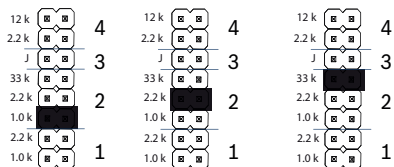
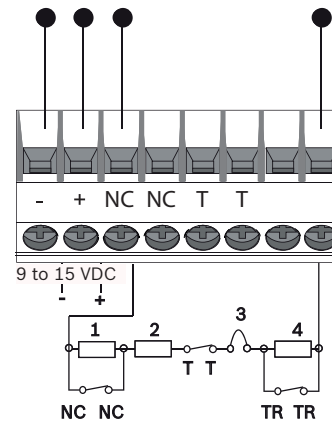
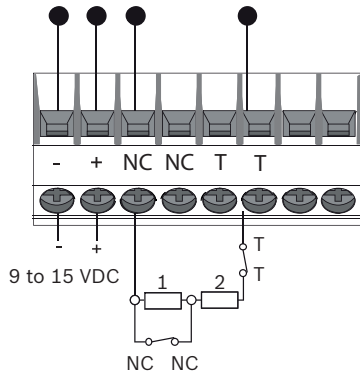
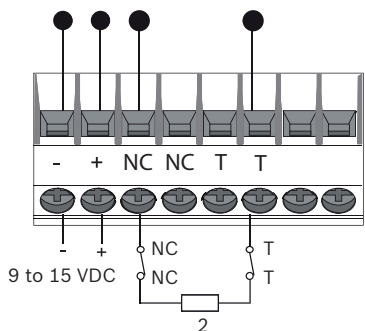
Commercial Series TriTech AM Motion Detectors with Anti-mask

ISC-CDL1-WA15G ISC-CDL1-WA12G
 ISC-CDL1-WA15GE ISC-CDL1-WA15HE
 ISC-CDL1-WA15G-CHI

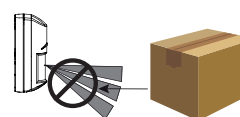
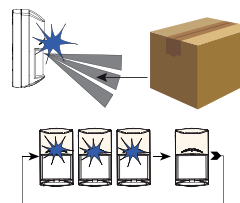
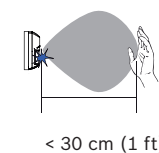


en Quick Installation Guide

Bosch Security Systems B.V.
 Torenallee 49
 5617 BA Eindhoven
 The Netherlands
www.boschsecurity.com
 © Bosch Security Systems B.V., 2019

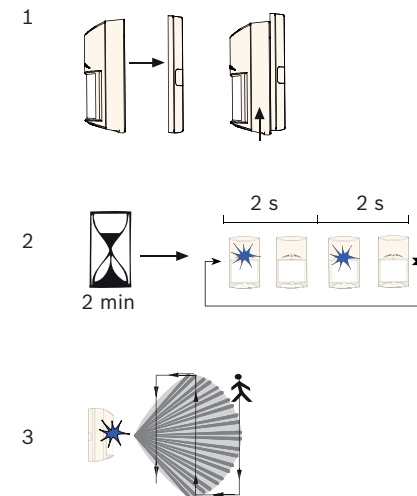
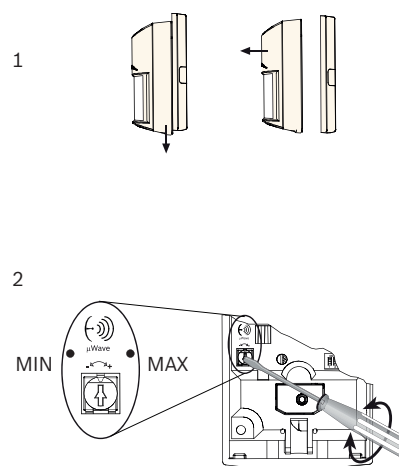
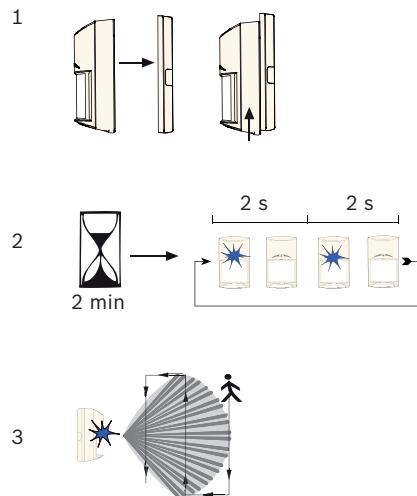
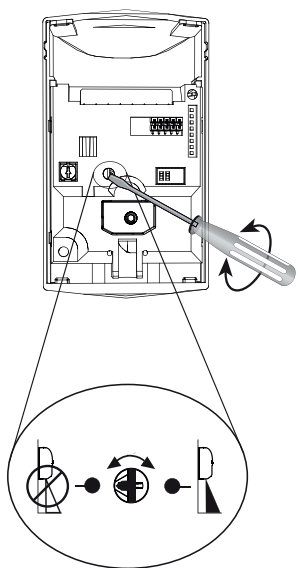


C²DT EN Grade 2 and C²DT EN Grade 3 were not investigated by UL



Switch 3 was not investigated by UL

Part II of II



Changes or modifications not expressly approved by Bosch Security Systems, Inc. can void the user's authority to operate the equipment.

cU-Lus	Use only a Listed Class 2 Power Limited power source. Standby power: The Listed control unit or a listed burglary power supply must provide 4 hours of standby power. Install the unit in accordance with National Electrical Code NFPA 70 and Part 1 of the Canadian Electrical code CSA C22.1.
--------	---

FCC/IC	This device complies with part 15 of the FCC Rules and Industry Canada license-exempt RSS standard(s). Operation is subject to the following two conditions: (1) this device may not cause interference, and (2) this device must accept any interference, including interference that may cause undesired operation of the device
	Le présent appareil est conforme aux CNR d'Industrie Canada applicables aux appareils radio exempts de licence. L'exploitation est autorisée aux deux conditions suivantes : 1) l'appareil ne doit pas produire de brouillage, et (2) l'utilisateur de l'appareil doit accepter tout brouillage radioélectrique subi, même si le brouillage est susceptible d'en compromettre le fonctionnement.
	Under Industry Canada regulations, this radio transmitter may only operate using an antenna of a type and maximum (or lesser) gain approved for the transmitter by Industry Canada.

AT	DK	HU	LV	RU
BE	EE	IE	MT	SE
BG	EL	IS	NL	SI
CH	ES	IT	NO	SK
CY	FI	LI	PL	FR
CZ	FR	LT	PT	UA
DE	HR	LU	RO	UK



10.570 to 10.610 GHz
< 20 mW
ISC-CDL1-WA15HE

AT	DK	HU	LV	RU
BE	EE	IE	MT	SE
BG	EL	IS	NL	SI
CH	ES	IT	NO	SK
CY	FI	LI	PL	FR
CZ	FR	LT	PT	UA
DE	HR	LU	RO	UK



10.510 to 10.580 GHz
< 25 mW
ISC-CDL1-WA15GE

Manufacturing dates

For product manufacturing dates, go to <http://www.boschsecurity.com/datecodes/> and refer to the serial number located on the product label.

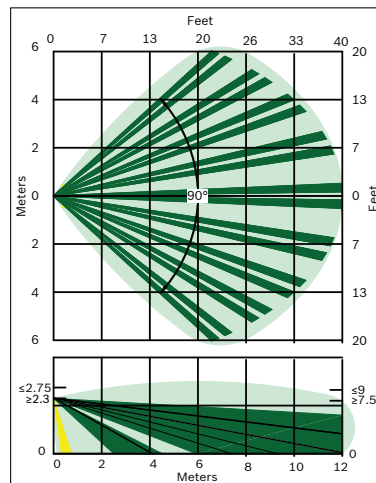


Voltage (operating)	9 to 15 VDC, 9-15 Vcc de 16 mA @ 12 Vcc en veille/en alarme, source limitée en puissance, ondulation résiduelle 1 V.
Current (max)	16 mA
Alarm relay/Tamper	≤100 mA, 25 V
Wiring loops	Ø 1.29 mm to 0.40 mm (16 AWG to 26 AWG) (UL: 22 AWG to 16 AWG)
	GE = -20 °C to +55 °C HE = +5 °C to +40 °C UL: 0 °C to +49 °C (+32 °F to +120 °F) AFNOR/CNPP: -10 °C to +55 °C
	95% non-condensing UL: 93%

Region	Agency	Certification
USA and CA	UL	UL639, S306-03 cULus LISTING Intrusion Detection Unit, Type: S (ISC-CDL1-WA15G, ISC-CDL1-WA12G)
	FCC	Part 15 Class B (ISC-CDL1-WA15G, ISC-CDL1-WA12G)
	IC	RSS210 1249A-CDL1 (ISC-CDL1-WA15G, ISC-CDL1-WA12G)
EU	CE	CE - 2014/53/EU (RED), 2011/65/EU and 2015/863 (RoHS) (ISC-CDL1-WA15GE, ISC-CDL1-WA15HE)
AU	ACMA	RCM (ISC-CDL1-WA15G, ISC-CDL1-WA12G)
BR	ANATEL	Resolution No. 242 (ISC-CDL1-WA15G, ISC-CDL1-WA12G)

CN	CCC	2015031901000145 (ISC-CDL1-WA12G-CHI, ISC-CDL1-W15G-CHI, ISC-CDL1-WA15G-CHI)
----	-----	--

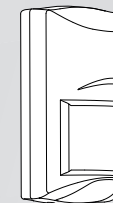
For ISC-CDL1-WA12G model only



BOSCH

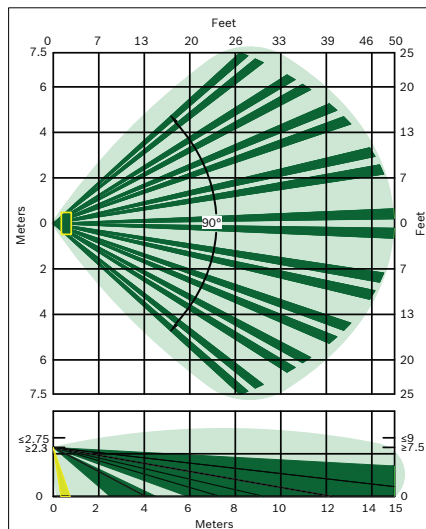
Commercial Series TriTech AM Motion Detectors with Anti-mask

ISC-CDL1-WA15G ISC-CDL1-WA12G
 ISC-CDL1-WA15GE ISC-CDL1-WA15HE
 ISC-CDL1-WA15G-CHI



en Quick Installation Guide

For other models



Bosch Security Systems B.V.
 Torenallee 49
 5617 BA Eindhoven
 The Netherlands
www.boschsecurity.com
 © Bosch Security Systems B.V., 2019